



Professor Anisio A.M. Andrade

See:

https://www.uc.pt/en/org/inescc/people/anisio_andrade

https://www.researchgate.net/profile/Anisio_Andrade

Department of Civil Engineering
University of Coimbra, Portugal

Education:

1998 BSc Civil Engineering, University of Coimbra

2004 MSc Structural Engineering, Technical University of Lisbon

2012 PhD Structural Engineering, University of Coimbra (FCTUC=Faculdade de Ciências e Tecnologia da Universidade de Coimbra), Dissertation: “One-dimensional models for the spatial behaviour of thin-walled bars with open cross-sections: Static and Dynamic Analyses”

Award:

2008 Ferry Borges Award

Selected Publications:

Andrade, A., Camotim, D., 2004. Lateral-torsional buckling of prismatic and tapered thin-walled open beams: assessing the influence of pre-buckling deflections. *Steel and Composite Structures*, 4(4):281-300.

A. Andrade and D. Camotim, “Lateral-torsional buckling of singly symmetric tapered beams: Theory and Application”, *ASCE Journal of Engineering Mechanics*, Vol. 131, No. 6, pp 586-597, June 2005

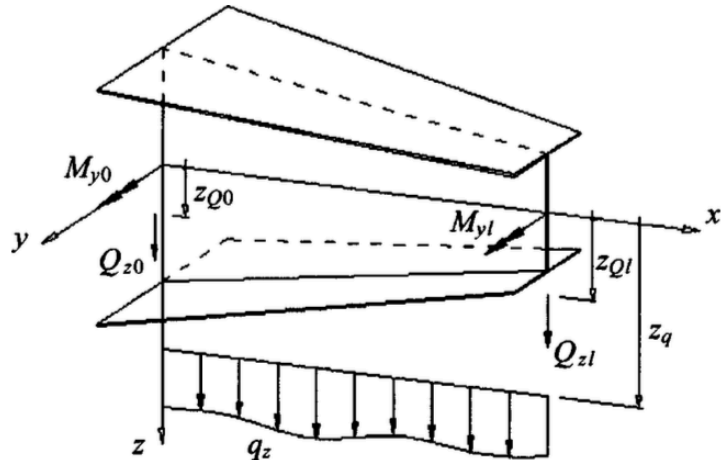


Fig. 3. Applied transverse forces and end moments

From: A. Andrade and D. Camotim, “Lateral-torsional buckling of singly symmetric tapered beams: Theory and Application”, *ASCE Journal of Engineering Mechanics*, Vol. 131, No. 6, pp 586-597, June 2005

Andrade, A., Camotim, D., Dinis, P.B., 2007. Lateral-torsional buckling of singly symmetric web-tapered thin-walled I-beams: 1D model vs. shell FEA. *Computers & Structures*, 85(17-18):1343-1359

A. Andrade, D. Camotim, P. Providência e Costa, On the evaluation of elastic critical moments in doubly and mono-symmetric I-section cantilevers, *J. Construct. Steel Res.* 63 (2007) 894–908

Andrade A, Camotim D, Borges Dinis P. Lateral-torsional buckling of singly symmetric web-tapered thin-walled I-beams, 1D model vs. shell FEA. *Computers and Structures* 2007;85:1343–59.

Andrade A, Providencia P, Camotim D. Elastic lateral-torsional buckling of restrained web-tapered I-beams. *Computers and Structures* 2010;88: 1179–96.

Dinar Camotim, Anisio Andrade and Cilmar Basaglia, “Some thoughts on a surprising result concerning the lateral-torsional buckling of monosymmetric I-section beams”, *Thin-Walled Structures*, Vol. 60, pp 216-221, November 2012

Noel Challamel, Anisio Andrade and Dinar Camotim, “On the use of spring models to analyse the lateral-torsional buckling behaviour of cracked beams”, *Thin-Walled Structures*, Vol. 73, pp 121-130, December 2013

Trayana Tankova, Liliana Marques, Anisio Andrade and Luis Simoes da Silva, “A consistent methodology for the out-of-plane buckling resistance of prismatic steel beam-columns”, *Journal of Constructional Steel Research*, Vol. 128, pp 839-852, January 2017