

Professor Mokhtar Bouazza

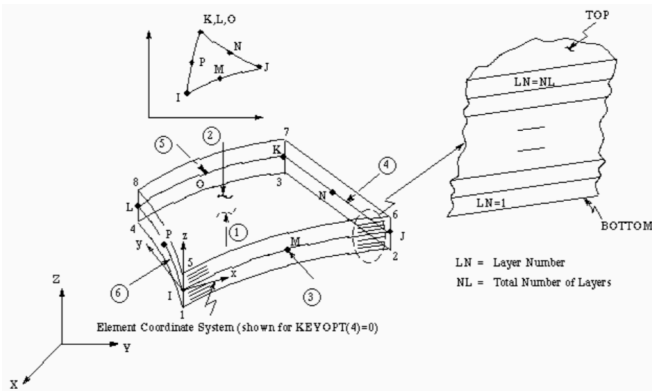


Figure 1. Shell 99, 100-Layer Structural Shell [22]

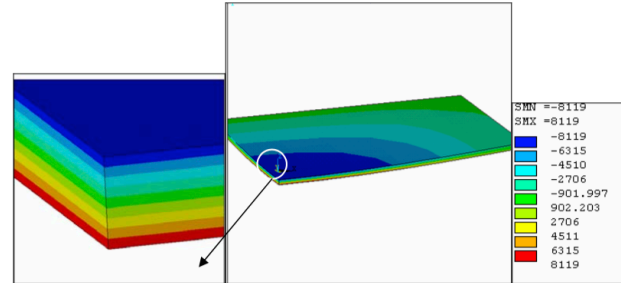


Figure 8. Variation of longitudinal stress for a cross-ply laminate, through the thickness of the plate using Solid 46 Element

The images above are from: Mokhtar Bouazza, Fodil Hammadi and Mostapha Khadir, "Bending analysis of symmetrically laminated plates", Leonardo Journal of Sciences, Issue 16, January-June 2010, pp 105-116

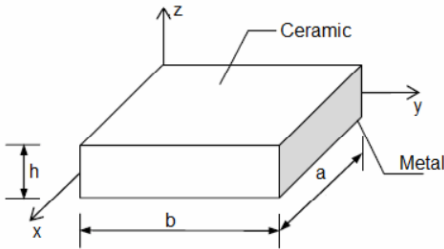


Figure 1. Typical FGM square plate

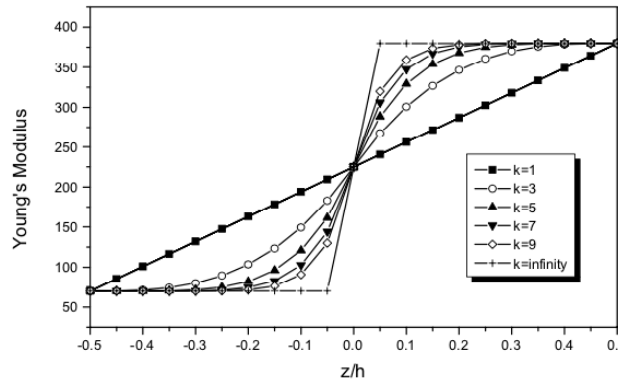


Figure 2. Young's modulus variation associated with different exponent indexes for a S-FGM plate

The images above are from: Bouazza Mokhtar, Tounsi Abdelouahed, Adda Bedia El Abbas and Megueni Abdelkader, "Buckling analysis of functionally graded plates with simply supported edges", Leonardo Journal of Sciences, Issue 15, July-December 2009, pp 21-32

Professor Mokhtar Bouazza

See:

<https://www.researchgate.net/scientific-contributions/Mokhtar-Bouazza-73949348>

Civil Engineering, University of Bechar, Bechar, Algeria

Formerly:

Civil Engineering, Materials and Hydrology, University of Djilali Liabes, Sidi Bel Abbes, Algeria

Selected Publications:

A. Tounsi, M. Bouazza, and E. A. Bedia, Computation of Transient Hygroscopic Stresses in Unidirectional Laminated Composite Plates with Cyclic and Asymmetrical Environmental Conditions, Int. J. Mech. Mater. Design, vol. 1, no. 3, pp. 271–286, 2004.

Bouazza, M., Tounsi, A., Benzair, A. and Adda-bedia, E.A. (2007), "Effect of transverse cracking on stiffness reduction of hygrothermal aged cross-ply laminates", J. Mat. Des., 28(4), 1116-1123.

Adda-bedia, E.A., Bouazza, M., Tounsi, A., Benzair, A. and Maachouc, M. (2008), "Prediction of stiffness degradation in hygrothermal aged [0m/90n]S composite laminates with transverse cracking", *J. Mat. Process. Tech.*, 199(1-3), 199-205.

Bouazza M., Tounsi A., Adda-Bedia E. A., Megueni A. Thermal buckling of sigmoid functionally graded plates using first order shear deformation theory, MAMERN09: 3rd International Conference on Approximation Methods and Numerical Modeling in Environment and Natural Resources Pau (France), June 8-11, 2009.

Bouazza Mokhtar, Tounsi Abedlouahed, Adda Bedia El Abbas and Megueni Abdelkader, "Buckling analysis of functionally graded plates with simply supported edges", *Leonardo Journal of Sciences*, Issue 15, July-December 2009, pp 21-32

Mokhtar Bouazza, Fodil Hammadi and Mostapha Khadir, "Bending analysis of symmetrically laminated plates", *Leonardo Journal of Sciences*, Issue 16, January-June 2010, pp 105-116

Bouazza, M., Tounsi, A., Adda-Bedia, E.A. and Megueni, A. (2010), "Thermoelastic stability analysis of functionally graded plates: An analytical approach", *Comput. Mat. Sci.*, 49(4), 865–870.

Bouazza, M., Tounsi, A., Adda-Bedia, E.A. and Megueni, A. (2011), "Thermal buckling of simply supported FGM square plates", *Appl. Mech. Mat.*, 61, 25-32.

Bouazza, M., Tounsi, A., Adda-Bedia E.A. and Megueni, A. (2011), "Stability analysis of functionally graded plates subject to thermal loads", *Shell-like Struc.-Adv. Struc. Mat.*, 15, 669-680.

Bouazza, M., Amara, K., Zidour, M., Abedlouahed, T. and El Abbas, A.B. (2014), "Thermal effect on buckling of multiwalled carbon nanotubes using different gradient elasticity theories", *Nanosci. Nanotechnol.*, 4(2), 27-33.

Bouazza, M., Amara, K., Zidour, M. and Tounsi, A. (2014), "Hygrothermal effects on the postbuckling response of composite beams", *Am. J. Mater. Res.*, 1(2), 35-43.

M. Bouazza, A. Tounsi, E.A.A. Bedia, Buckling response of thick functionally graded plates, *J Mater Eng Struct*, 1 (2014), pp. 137-145

Khaled Amara, Okkacha Youb, Mokhtar Bouazza, Tounsi Abedlouahed and Adda Bedia El Abbas, "Influence of temperature change on column buckling of double walled carbon nanotubes using different theories", *Energy Procedia*, Vol. 50, pp 634-641, 2014

Bouazza, M., Amara, K., Zidour, M. and Tounsi, A. (2015), "Postbuckling analysis of functionally graded beams using hyperbolic shear deformation theory", *Rev. Inform. Eng. Appl.*, 2(1), 1-14.

M. Zidour, L. Hadji, M. Bouazza, A. Tounsi, and E. A. Adda Bedia, "The mechanical properties of zigzag carbon nanotube using the energy – equivalent model," *J. Chem. Mater. Research*, 3, 9-14 (2015).

Bouazza, M., Amara, K., Zidour, M., Tounsi, A. and Bedia, E.A. (2015), "Postbuckling analysis of nanobeams using trigonometric Shear deformation theory", *Appl. Sci. Rep.*, 10, 112-121.

Bouazza, M. and Benseddiq, N. (2015), "Analytical modeling for the thermoelastic buckling behavior of functionally graded rectangular plates using hyperbolic shear deformation theory under thermal loadings", *Multidisc. Mod. Mat. Struc.*, 11(4), 558-578.

Bouazza, M., Lairedj, A., Benseddiq, N. and Khalkia, S. (2016), "A refined hyperbolic shear deformation theory for thermal buckling analysis of cross-ply laminated plates", *Mech. Res. Comm.*, 73, 117-126.

Amara, K. Bouazza, M. and Fouad, B. (2016), "Postbuckling Analysis of Functionally Graded Beams Using Nonlinear Model", *Per. Polytech. Mech. Eng.*, 60(2), 121-128.

Bouazza, M., Becheri, T. Boucheta, A. and Benseddiq, N. (2016), "Thermal buckling analysis of nanoplates based on nonlocal elasticity theory with four-unknown shear deformation theory resting on Winkler–Pasternak elastic foundation", *Int. J. Comp. Meth. Eng. Sci. Mech.*, 17, 362-373.

Becheri, T., Amara, K., Bouazza, M. and Benseddiq, N. (2016), "Buckling of symmetrically laminated plates using nth-order shear deformation theory with curvature effects", *Steel Comp. Str.*, 21(6), 1347-1368.

Bouazza, M., Kenouza, Y., Benseddiq, N. and Zenkour, A. (2017), "A two-variable simplified nth-higher-order theory for free vibration behavior of laminated plates", *Compos. Str.*, 182, 533-541.

Bouazza, M., Zenkour, A. and Benseddiq, N. (2018), "Effect of material composition on bending analysis of FG plates via a two-variable refined hyperbolic theory", *Arch. Mech.*, 70 (2), 107-129.

Ellali, M, Amara, K, Bouazza, M, et al. The buckling of piezoelectric plates on pasternak elastic foundation using higher-order shear deformation plate theories. *Smart Struct Syst* 2018; 21: 113–122.

Bouazza, M. and Zenkour, A. (2018), "Free vibration characteristics of multilayered composite plates in a hygrothermal environment via the refined hyperbolic theory", *Eur. Phys. J. Plus*, 133: 217.

Bouazza, M., Zenkour, A. and Benseddiq, N. (2018), "Closed-form solutions for thermal buckling analyses of advanced nanoplates according to a hyperbolic four-variable refined theory with small-scale effects", *Acta Mech.*, 229(5), 2251-2265.

Abdelmalek, A., Bouazza, M. Zidour, M. and Benseddiq, N. (2019), "Hygrothermal effects on the free vibration behavior of composite plate using nth-order shear deformation theory: a micromechanical approach", *Iran J. Sci. Tech. Trans. Mech. Eng.*, 43(1), 61-73.

Antar, K., Amara, K., Benyoucef, S., Bouazza, M. and Ellali, M. (2019), "Hygrothermal effects on the behavior of reinforced-concrete beams strengthened by bonded composite laminate plates", *Str. Eng. Mech.*, 69(3), 327-334.

Mokhtar Bouazza, Nouredine Benseddiq and Ashraf M. Zenkour, "Thermal buckling analysis of laminated composite beams using hyperbolic refined shear deformation theory", *Journal of Thermal Stresses*, Vol. 42, No. 3, pp 332-340, 2019

Bouazza, M., Antar, K., Amara, K., Benyoucef, S. and Bedia, E. (2019), "Influence of temperature on the beams behavior strengthened by bonded composite plates", *Geomech. Eng.*, 18(5), 555-566.

Mokhtar Bouazza and Ashraf M. Zenkour, "Vibration of carbon nanotube-reinforced plates via refined nth-higher-order theory", *Archive of Applied Mechanics*, Vol. 90, No. 8, pp 1755-1769, August 2020