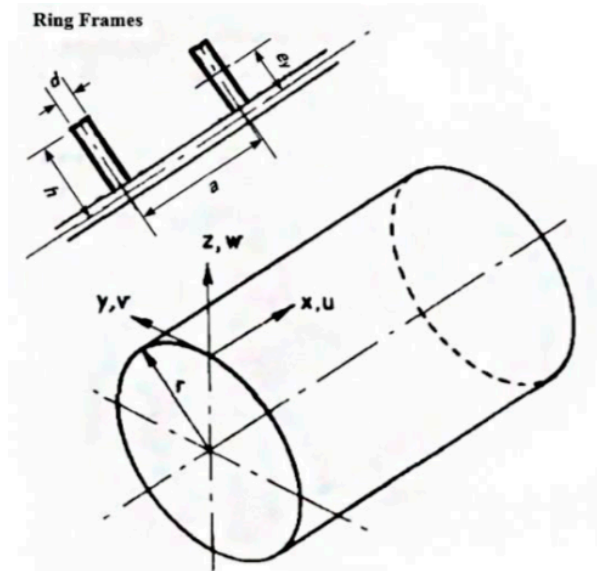




Professor Ahmad Reza Ghasemi



From: Ahmad Reza Ghasemi and Mohammad Hadi Hajmohammad, "Mass and buckling criterion optimization of stiffened carbon/epoxy composite cylinder under external hydrostatic pressure", Latin American Journal of Solids and Structures, Vol. 15, No. 1, 2018

See:

https://www.researchgate.net/profile/Ahmad_Reza_Ghasemi

<https://scholar.google.com/citations?user=QmSr75cAAAAJ&hl=en>

Department of Solid Mechanics, Faculty of Mechanical Engineering
University of Kashan, Iran

Selected Publications:

Ghorbanpour Arani, A., Mohammadimehr, M., Arefmanesh, A. and Ghasemi, A. (2010), "Transverse vibration of short carbon nanotubes using cylindrical shell and beam models", *Proceed Inst. Mech. Eng., Part C, J. Mech. Eng. Sci.*, 224(3), 745-756

A.R. Ghasemi, R. Baghersad and M.R. Vaziri Sereshk, "Non-linear behavior of polymer based composite laminates under cyclic thermal shock and its effects on residual stresses", *Iranian Journal of Polymer Science and Technology*, Vol. 24, No. 2, pp 133-140, June-July 2011

Ghasemi, A., Dardel, M., Ghasemi, M.H., et al.: Analytical analysis of buckling and post-buckling of fluid conveying multi-walled carbon nanotubes. *Appl. Math. Model.* 37, 4972–4992 (2013)

A.R. Ghasemi, F. Taheri-Behrooz and M.M. Shokrieh, "Measuring residual stresses in composite materials using the simulated hole-drilling method", Chapter 4 in book that is not identified in the pdf file, February 2014

A. R. Ghasemi, M. M. Mohammadi, and M. Mohandes, "The role of carbon nanofibers on thermo-mechanical properties of polymer matrix composites and their effect on reduction of residual stresses," *Compos. Part B Eng.*, vol. 77, pp. 519–527, 2015

A.R. Ghasemi and M.H. Hajmohammad, "Minimum-weight design of stiffened shell under hydrostatic pressure by genetic algorithm", *Steel and Composite Structures*, Vol. 19, No. 1, pp 75-92, July 2015

A. R. Ghasemi and M. M. Mohammadi, "Residual stress measurement of fiber metal laminates using incremental hole-drilling technique in consideration of the integral method," *Int. J. Mech. Sci.*, vol. 114, pp. 246–256, 2016

A. R. Ghasemi, F. Taheri-Behrooz, S. M. N. Farahani, and M. Mohandes, "Nonlinear free vibration of an Euler-Bernoulli composite beam undergoing finite strain subjected different boundary conditions," *J. Vib. Control.*, vol. 22, no. 03, pp. 799–811, 2016

M. Mohandes and A. R. Ghasemi, "Finite strain analysis of nonlinear vibrations of symmetric laminated composite Timoshenko beams using generalized differential quadrature method," *J. Vib. Control.*, vol. 22, no. 04, pp. 940–954, 2016

M. Mohandes, and A. R. Ghasemi, "Modified couple stress theory and finite strain assumption for nonlinear free vibration and bending of micro/nanolaminated composite Euler–Bernoulli beam under thermal loading," Part C: *J. Mech. Eng. Sci.*, vol. 231, no. 21, pp. 4044–4056, 2016

M. Mohandes, A. R. Ghasemi, M. Irani Rahaghi, K. Torabi, and F. Taheri-Behrooz, "Development of beam modal function for free vibration analysis of FML circular cylindrical shells," *J. Vib. Control.*, 2017

A.R. Ghasemi, K. M. Hossenipour, M. Mohandes, Modeling creep behavior of carbon nanotube/fiber/polymer composite cylinders, *J. Nanomater. Nanoengin. Nanosystem.* (2017)

A.R. Ghasemi and M.H. Hajmohammad, "Evaluation of buckling and post buckling of variable thickness shell subjected to external hydrostatic pressure", *Journal of Solid Mechanics*, Vol. 9, No. 2, pp 239-248, 2017

A. R. Ghasemi, and M. Mohandes, "Nonlinear free vibration of laminated composite Euler-Bernoulli beams based on finite strain using GDQM," *Mech. Adv. Mater. Struct.*, vol. 24, no. 11, pp. 917–923, 2017

A.R. Ghasemi, M. Mohammadi-Fesharaki, M. Mohandes, Three-phase micromechanical analysis of residual stresses in reinforced fiber by carbon nanotubes, *J. Compos. Mater.*, 51 (2017), pp. 1783-1794

Ahmad Reza Ghasemi and Mohammad Hadi Hajmohammad, "Mass and buckling criterion optimization of stiffened carbon/epoxy composite cylinder under external hydrostatic pressure", *Latin American Journal of Solids and Structures*, Vol. 15, No. 1, 2018

A. R. Ghasemi and M. M. Fesharaki, "Effect of carbon nanotube on cured shape of cross-ply polymer matrix nanocomposite laminates: Analytical and experimental study," *Iran. Polym. J.*, vol. 27, no. 12, pp. 965–977, 2018

Masood Mohandes and Ahmad Reza Ghasemi, "A new approach to reinforce the fiber of nanocomposite reinforced by CNTs to analyze free vibration of hybrid laminated cylindrical shell using beam modal function method", *European Journal of Mechanics - A/Solids*, Vol. 73, pp 224-234, January-February 2019

Ahmad Reza Ghasemi and Masood Mohandes, "Free vibration analysis of rotating fiber-metal laminate circular cylindrical shells", *Journal of Sandwich Structures and Materials*, Vol. 21, No. 3, March 2019, pp 1009-1031

Ahmad Reza Ghasemi, Masood Mohandes, Rossana Dimitri and Francesco Tornabene, "Agglomeration effects on the vibrations of CNTs/fiber/polymer/metal hybrid laminates cylindrical shell", *Composites Part B: Engineering*, Vol. 167, pp 700-716, 15 June 2019

A.R. Ghasemi, A. Tabatabaeian and M. Moradi, "Residual stress and failure analyses of polymer matrix composites considering thermal cycling and temperature effects based on classical laminate plate theory", *Journal of Composite Materials*, Vol. 53, No. 21, pp 3021-3032, September 2019

Behzad Asghari, Ahmad Reza Ghasemi and Ali Tabatabaeian, "On the optimal design of manufacturing-induced residual stresses in filament wound carbon fiber composite cylindrical shells reinforced with carbon nanotubes", *Composites Science and Technology*, Vol. 182, Article 107743, 29 September 2019

A. R. Ghasemi and M. Mohammadi-Fesharaki, "Influence of different parameters on cured shapes and residual stresses of unsymmetric composite laminate reinforced by multi-wall carbon nanotubes," *Polym. Bull.*, vol. 1, 21, 2019

Ahmad Reza Ghasemi and Masood Mohandes, "Free vibration analysis of micro and nano fiber-metal laminates circular cylindrical shells based on modified couple stress theory", *Mechanics of Advanced Materials and Structures*, Vol. 27, No. 1, pp 43-54, 2020