



Professor Amit Karmakar

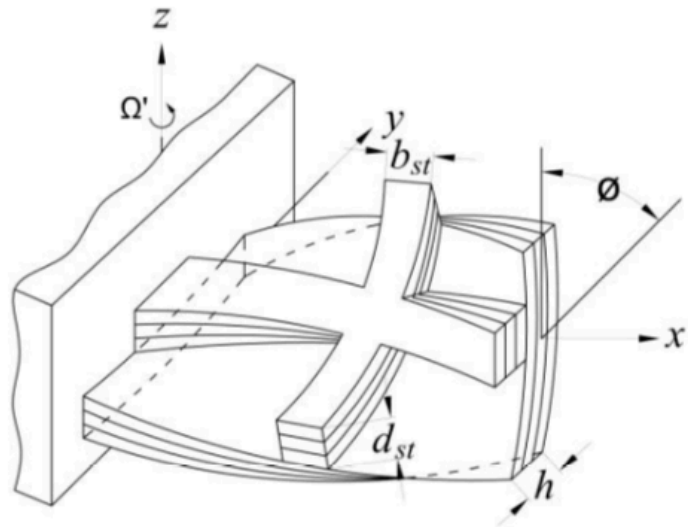


Fig. 1: A typical twisted laminated composite stiffened plate.

From: M. Rout and A. Karmakar, "Free vibration of rotating twisted composite stiffened plate", Proceedings of the First International Conference on Mechanical Engineering, Jadavpur University, Kolkata, India, January 4-6, 2018, Paper No. INCOM18-039, 2018

See:

<https://scholar.google.co.in/citations?user=EMgmd8gAAAAJ&hl=en>
https://www.researchgate.net/profile/Amit_Karmakar5

Mechanical Engineering Department
 Jadavpur University, Kolkata, India

Selected Publications:

- Karmakar, A and Sinha, PK. (1997) Finite Element free vibration analysis of rotating laminated composite pretwisted cantilever plates, *Journal of Reinforced plastics and composites*, (16): 1461-1490.
- A. Karmakar and P. K. Sinha, "Finite element transient dynamic analysis of laminated composite pretwisted rotating plates subjected to impact," *Int. J. Crashworthiness*, vol. 3, pp. 379–392, 1998.
- A. Karmakar and P.K. Sinha, Failure Analysis of Laminated Composite Pretwisted Rotating Plates, *Journal of Reinforced Plastics and Composites* 20 (2001), 1326–1357.
- Karmakar, A., Mishra, T. K. and Kishimoto, K. Free Vibration Characteristics of Delaminated Composite Rotating Cantilever Shallow Shells. *Proceedings of the International Conference on Fracture*, March 20–25, 2005, Turin, Italy.
- A. Karmakar and K. Kishimoto, Free Vibration Analysis of Delaminated Composite, *JSME International Journal, Series A* 49(4) (2006), 492–502.
- A. Karmakar and K. Kishimoto, "Transient dynamic response of delaminated composite rotating shallow shells subjected to impact," *Shock Vib.*, vol. 13, pp. 619–628, 2006.
- Achryya, A.K., Chakravorty, D. and Karmakar, A. (2009), "Bending characteristics of delaminated composite cylindrical shells a finite element approach", *J. Reinf. Plast. Compos.*, 28(8), 965-978.
- Dey S., Karmakar A.: Finite element analyses of bending stiff composite conical shells with multiple delamination. *J. Mech. Mater. Struct.* 7(2), 213–224 (2012)
- Sudip Dey and Amit Karmakar, "Effect of location of delamination on free vibration of cross-ply conical shells", *Shock and Vibration*, Vol. 19, pp 679-692, 2012

Sudip Dey and Amit Karmakar, "Free vibration analyses of multiple delaminated angle-ply composite conical shells – A finite element approach", *Composite Structures*, Vol. 94, No. 7, pp 2188-2196, June 2012

Sudip Dey and Amit Karmakar, "Natural frequencies of delaminated composite rotating conical shells – A finite element approach", *Finite Elements in Analysis and Design*, Vol. 56, pp 41-51, September 2012

Sanjoy Das Neogi, Amit Karmakar and Dipankar Chakravorty, "Study of dynamic behavior of multilayered clamped composite skewed hypar shell roofs under impact load", *Journal of Engineering*, Vol. 2013, Article ID 192176, 2013

Sudip Dey and Amit Karmakar, "Free vibration characteristics of multiple delaminated cross-ply composite conical shells", *International Journal for Computational Methods in Engineering Science and Mechanis*", Vol. 14, No. 2, pp 168-174, 2013

Sudip Dey and Amit Karmakar, "Dynamic analysis of delaminated composite conical shells under low velocity impact", *Journal of Reinforced Plastics and Composites*, Vol. 32, No. 6, pp 380-392, 2013

Sudip Dey and Amit Karmakar, "A comparative study on free vibration analysis of delaminated torsion stiff and bending stiff composite shells", *Journal of Mechanical Science and Technology*, Vol. 27, No. 4, pp 963-972, 2013

Dey, S. and Karmakar, A. (2014), "Time dependent response of low velocity impact induced composite conical shells under multiple delamination", *Mech. Time-Dep. Mat.*, 18(1), 55-79.

Apurba Das, Subhrajyoti Sarkar and Amit Karmakar, "Free vibration of pre-twisted functionally graded conical shells with rotational effect", *Proceedings of ICTACEM 2014, International Conference on Theoretical, Applied, Computational and Experimental Mechanics*, December 29-31, 2014, IIT Kharagpur, India, Paper No. ICTACEM-2014/065, 2014

S. Dey, A. Karmakar, Effect of oblique angle on low velocity impact response of delaminated composite conical shells, *Proc. Inst. Mech. Eng. C J. Mech.*, 228 (15) (2014), pp. 2663-2677

Dey, S., Adhikari, S. and Karmakar, A. [2015] "Impact response of functionally graded conical shells," *Latin American Journal of Solids and Structures* 12(1), 133–152.

Tanmoy Bandyopadhyay, Amit Karmakar and Kikuo Kishimoto, "Transient response of delaminated composite conical shells due to multiple low velocity impacts in hygrothermal environment", *Composite Structures*, Vol. 143, pp 202-219, May 2016

Ankuran Saha, Apurba Das and Amit Karmakar, "Effect of some structural parameters on the vibration of pretwisted conical shells – A finite element approach", *International Journal of Engineering Science and Technology (IJEST)*, Vol. 8, No. 12, December 2016

Rout, Mrutyunjay & Bandyopadhyay, Tanmoy & Karmakar, Amit. (2017). "Free vibration analysis of pretwisted delaminated composite stiffened shallow shells: A finite element approach". *Journal of Reinforced Plastics and Composites*. 36. 073168441668972. 10.1177/0731684416689726.

Tanmoy Bandyopadhyay and Amit Karmakar, "Low-velocity impact response of delaminated composite conical shells in hygrothermal environment due to time-delay", *Procedia Engineering*, Vol. 173, pp 463-470, 2017

Apurba Das, Ranajit Banerjee and Amit Karmakar, "Transient dynamic analysis of pretwisted functionally graded conical shells subject to low velocity impact: A finite element approach", *Proceedings of the ASME 2017 Gas Turbine India Conference (GTINDIA2017)*, December 7-8, 2017, Bangalore, India, Paper No. GTINDIA2017-4611, 2017

Apurba Das and Amit Karmakar, "Free vibration analysis of rotating porous sigmoidal functionally graded conical shell considering even and uneven porosity", *Proceedings of the National Conference on Advanced Materials, Manufacturing and Metrology (NCAMMM-2018)*, Durgapur, India, February 16-17, 2018

Mrutyunjay Rout, Sasank Shekhar Hota and Amit Karmakar, "Transient response of pretwisted delaminated stiffened shell under low velocity impact", *International Journal for Computational Methods in Engineering Science and Mechanics*, Vol.19, No. 3, pp 139-155, 2018

M. Rout and A. Karmakar, "Free vibration of rotating twisted composite stiffened plate", *Proceedings of the First International Conference on Mechanical Engineering*, Jadavpur University, Kolkata, India, January 4-6, 2018, Paper No. INCOM18-039, 2018

Dibyendu Mandal, Himadri Chattopadhyay, Amit Karmakar and Kumaresh Halder, "Finite element approach towards impact analysis on biomechanical nature of cornea", *Biomedical Research*, Vol. 29, No. 12, pp 2465-2470, 2018

Mrutyunjay Rout, Chitaranjan Dash and Amit Karmakar, "Low velocity impact performance of CNTs-

reinforced composite plate”, International Journal of Advanced Mechanical Engineering, Vol. 8, No. 1, pp 81-88, 2018

Pabitra Maji, Mrutyunjay Rout and Amit Karmakar, “Free vibration analysis of CNTs-reinforced functionally graded conical shell”, International Journal of Mechanical and Production Engineering Research and Development (IJMPERD), Special Issue, pp 25-32, June 2018

Mrutyunjay Rout, Sasank Shekhar Hota and Amit Karmakar, “Thermoelastic free vibration response of graphene reinforced laminated composite shells”, Engineering Structures, Vol. 178, pp 179-190, 1 January 2019

Ankuran Saha, Apurba Das and Amit Karmakar, “Parametric study on the first ply failure load of delaminated shallow pretwisted conical shells – A finite element approach”, Materials Today: Proceedings, Vol. 11, pp 818-829, 2019

Mrutyunjay Rout and Amit Karmakar, “Free vibration of rotating pretwisted CNTs-reinforced shallow shells in thermal environment”, Mechanics of Advanced Materials and Structures, Vol. 26, No. 21, pp 1808-1820, 2019

Tripuresh Deb Singha, Mrutyunjay Rout, Tanmoy Bandyopadhyay and Amit Karmakar, “Free vibration analysis of rotating pretwisted composite sandwich conical shells with multiple debonding in hygrothermal environment”, Engineering Structures, Vol. 204, Article 110058, 1 February 2020