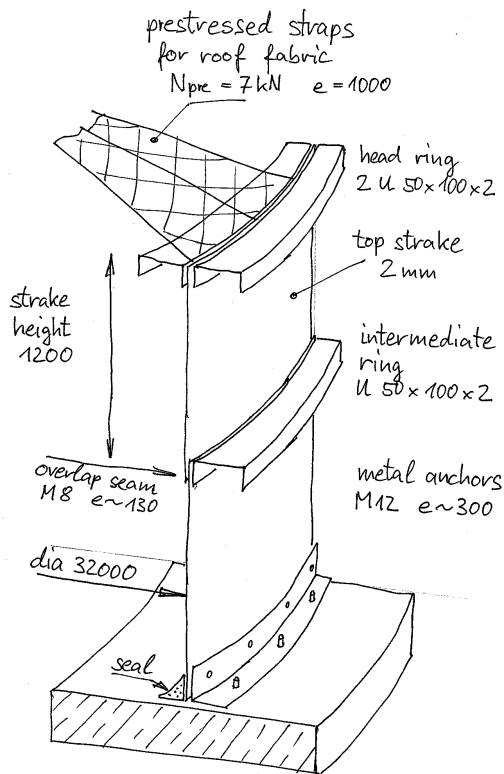




**Professor Peter Knoedel**



**From:** <http://www.peterknoedel.de/foa/ga/ga.htm>

See:

<https://stahl.vaka.kit.edu/english/931.php>

<https://translate.google.com/translate?hl=en&sl=de&u=http://www.peterknoedel.de/&prev=search>

<http://www.peterknoedel.de/foa/ga/ga.htm>

[https://www.researchgate.net/profile/Peter\\_Knoedel/publications](https://www.researchgate.net/profile/Peter_Knoedel/publications)

Research Center for Steel and Lightweight Structures  
Karlsruhe Institute of Technology

### **Selected Publications:**

P. Knoedel and U. Schulz, editors. Buckling of silo bins by granular solids, Int. Conf.: Silos-Forschung und Praxis, 1988. University of Karlsruhe

Peter Knoede, "Cylinder-cone-cylinder intersections under axial compression", in Buckling of shell structures, on land, in the sea, and in the air, edited by J. F. Jullien, Elsevier Applied Science Publishing Co., Inc., New York, 1991

P. Knoedel. Stabilitätsuntersuchung an kreiszylindrischen stahlernen siloshüssen. PhD thesis, University of Karlsruhe, 1995.

Peter Knoedel, Thomas Ummenhofer and Ulrich Schulz, "On the modelling of different types of imperfections in silo shells", Thin-Walled Structures, Vol. 23, Nos. 1-4, 1995, pp. 283-293, Special Issue: Buckling Strength of Imperfection-sensitive Shells

Knoedel, P.; Ummenhofer, T., Substitute Imperfections for the Prediction of Buckling Loads in Shell Design. CA-Silo. WG3: Metal Silo Structures, Imperfections in Metal Silos, Measurement, Characterisation and Strength Analysis. Workshop held at INSA Lyon, pp. 87-101. 1996.

Peter Knoedel and Thomas Ummenhofer, "An engineering model for checking the stability of cylindrical shell structures on local supports", Stahlbau, Vol. 67, No. 6, pp 425-429, June 1998

Thomas Ummenhofer and Peter Knoedel, "Modelling of boundary conditions for cylindrical steel structures in natural wind", in Computational Methods for Shell and Spatial Structures, IASS-IACM 2000, M. Papadrakakis, A. Samartin and E. Onate (Editors), Athens, Greece 2000

Peter Knoedel and Thomas Ummenhofer, "Ankerkräfte bei kurzen Zylinderschalen" (Anchor forces with short cylindrical shells), Stahlbau, Vol. 75, No. 9, pp 723-728, September 2006

Peter Knoedel and Thomas Ummenhofer, "Rules for the analysis of tanks and silos using FEA", Stahlbau, Vol. 86, No. 4, pp 325-339, April 2017, DOI: 10.1002/stab.201710479