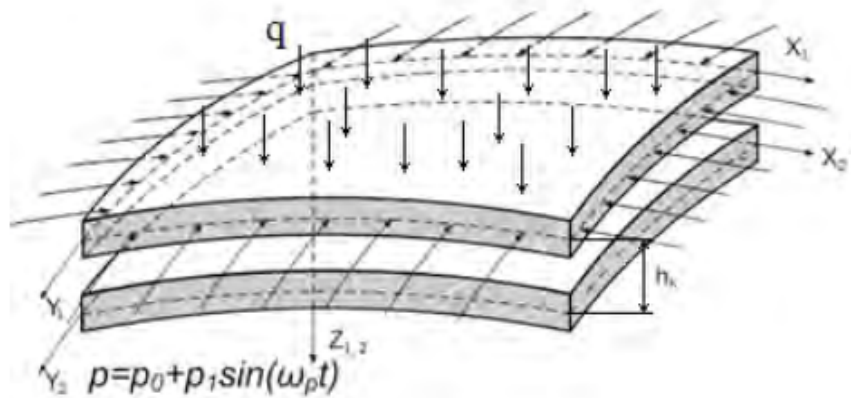




**Professor I.V. Papkova**



**Fig. 2.1** Computational scheme of two-layer shell

From: J. Awrejcewicz, I.V. Papkova, V.A. Krysko-jr, M.V. Ruchan and A.V. Krysko, “Analysis of chaotic parametric vibrations of flexible multi-layer shells”, Unidentified chapter in unidentified book in the pdf file, January 2013, DOI: 10.13140/2.1.1109.6640 , <https://www.researchgate.net/publication/269098892>

See:

[https://www.researchgate.net/profile/IV\\_Papkova](https://www.researchgate.net/profile/IV_Papkova)

Department of Mathematics and Modeling  
Saratov State Technical University

### Selected Publications:

- A.V. Krysko, J. Awrejcewicz, I.V. Papkova, Chaotic vibrations of sector-type spherical shells, *Journal of Computational and Nonlinear Dynamics* 3 (2008) 041005 (17 pp).
- I. V. Papkova, V. A. Krysko, and V. V. Soldatov, “Analysis of nonlinear chaotic vibrations of shallow shells of revolution by using the wavelet transform,” *Mech. Solids*, 45, No. 1, 85–93 (2010).
- J. Awrejcewicz, I.V. Papkova, E.U. Krylova and V.A. Krysko, “On the application of Fourier analysis to regular and chaotic dynamics of rectangular flexible plates subjected to shear-harmonic loading”, paper from unidentified conference in the pdf file, June 2011, <https://www.researchgate.net/publication/268814994>
- J. Awrejcewicz, V.A. Krysko, I.V. Papkova, A.V. Krysko, Routes to chaos in continuous mechanical systems. Part 1: mathematical models and solution methods, *Chaos, Solitons & Fractals* 45 (2012) 687–708.
- A.V. Krysko, J. Awrejcewicz, I.V. Papkova, V.A. Krysko, Routes to chaos in continuous mechanical systems: Part 2. Modelling transitions from regular to chaotic dynamics, *Chaos, Solitons & Fractals* 45 (2012) 709–720.
- J. Awrejcewicz, A.V. Krysko, I.V. Papkova, V.A. Krysko, Routes to chaos in continuous mechanical systems. Part 3: the Lyapunov exponents, hyper, hyper–hyper and spatial–temporal chaos, *Chaos, Solitons & Fractals* 45 (2012) 721–736.
- Awrejcewicz, J.; Krylova, E.U.; Papkova, I.V.; Krysko, V.A. Wavelet-based analysis of the regular and chaotic dynamics of rectangular flexible plates subjected to shear-harmonic loading. *Shock Vib.* 2012, 19, 979–994
- A.V. Krysko, J. Awrejcewicz, I.V. Papkova, V.M. Zakharov, T.V. Yakovleva and V.A. Krysko, “Non-linear dynamics of multi-layer shells, Unidentified chapter in unidentified book in the pdf file, January 2013, DOI: 10.13140/2.1.2092.7043
- J. Awrejcewicz, I.V. Papkova, V.A. Krysko-jr, M.V. Ruchan and A.V. Krysko, “Analysis of chaotic parametric

vibrations of flexible multi-layer shells”, Unidentified chapter in unidentified book in the pdf file, January 2013, DOI: 10.13140/2.1.1109.6640 , <https://www.researchgate.net/publication/269098892>

A.V. Krysko, J. Awrejcewicz, T.V. Yakovleva, V. Dobriyan, I.V. Papkova and V.A. Krysko, “Mathematical modeling of chaotic vibrations of strongly non-linear continuous structures”, Proceedings 6<sup>th</sup> Chaotic Modeling and Simulation International Conference, 11-14 June 2013, Istanbul, Turkey

Dobriyan, V.; Awrejcewicz, J.; Krysko, A.V.; Papkova, I.V.; Krysko, V.A. On the Lyapunov exponents computation of coupled non-linear Euler-Bernoulli beams. In Proceedings of the Fourteenth International Conference on Civil, Structural and Environmental Engineering Computing, Cagliari, Italy, 3–6 September 2013; Civil-Comp Press: Stirlingshire, UK, 2013; p. 53

V.A. Krysko, J. Awrejcewicz, I.E. Kutepov, N.A. Zagniboroda, I.V. Papkova, A.V. Serebryakov, A.V. Krysko, Chaotic dynamics of flexible beams with piezoelectric and temperature phenomena, *Phys. Lett. A*, 377 (2013), pp. 2058–2061

J. Awrejcewicz, A.V. Krysko, E.Yu. Krylova, I.V. Papkova and V.A. Krysko, “Chaotic parametric vibrations of flexible shells”, paper from unidentified conference in the pdf file, December 2013

J. Awrejcewicz, V.A. Krysko, I.V. Papkova, T.F. Yakovleva, N.A. Zagniboroda, M.V. Zhigalov, A.V. Krysko, V. Dobriyan, E. Yu. Krylova and S.A. Mitskievich, “Application of the Lyapunov exponents and wavelets to study and control of plates and shells”, Chapter 1 in an unidentified book in the pdf file, January 2014

J. Awrejcewicz, A.V. Krysko, V.A. Krysko, E. Yu. Krylova, S.A. Mitskievich, I.V. Papkova, T.V. Yakovleva, V.M. Zakharov and V. Dobriyan, “Turbulent phenomena in flexible plates and shells”, Unidentified chapter in unidentified book in the pdf file, January 2014, DOI: 10.1007/978-3-319-08266-0\_5

V.A. Krysko, J. Awrejcewicz, I.V. Papkova, V.B. Vaiburin and T.V. Yakovleva, “Non-linear phenomena exhibited by flexible cylindrical and sector shells”, in: *Applied Non-Linear Dynamical Systems*, Springer Proceedings in Mathematics & Statistics, Vol. 93, January 2014, DOI 10.1007/978-3-319-08266-0\_\_3

J. Awrejcewicz, V.A. Krysko Jr., I.V. Papkova, E.Y. Krylov, A.V. Krysko, Spatio-temporal non-linear dynamics and chaos in plates and shells, *Nonlinear Stud.*, 21 (2014), pp. 293–307

A.V. Krysko, J. Awrejcewicz, N.A. Zagniboroda, I.V. Papkova and V.A. Krysko, “Chaotic vibrations of flexible beams in a stationary temperature field”, 14<sup>th</sup> Pan-American Congress of Applied Mechanics (PACAM XIV), March 24-28, 2014, Santiago, Chile

J. Awrejcewicz, E.Yu. Krylova, I.V. Papkova and V.A. Krysko, “Regular and chaotic dynamics of flexible plates”, *Shock and Vibration*, Vol. 2014, Article ID 937967, 8 pages, <http://dx.doi.org/10.1155/2014/937967>

J. Awrejcewicz, A.V. Krysko, I.V. Papkova, I.Y. Vygodchikova and V.A. Krysko, “On the methods of critical load estimation of spherical circle axially symmetrical shells”, *Thin-Walled Structures*, Vol. 94, pp 293-301, September 2015

Awrejcewicz, J.; Krysko, V.A.; Papkova, I.V.; Krysko, A.V. *Deterministic Chaos in One-Dimensional Continuous Systems*; World Scientific: Singapore, 2016

A.V. Krysko, J. Awrejcewicz, A.A. Zakharova, I.V. Papkova and V.A. Krysko, “Chaotic vibrations of flexible shallow axially symmetric shells”, *Nonlinear Dynamics*, January 2018, <https://doi.org/10.1007/s11071-017-4013-0>

V.A. Krysko, J. Awrejcewicz, E. Yu Krylova, I.V. Papkova and A.V. Krysko, “Non-symmetric forms of non-linear vibrations of flexible cylindrical panels and plates under longitudinal load and additive white noise”, *Journal of Sound and Vibration*, Vol. 423, pp 212-229, June 2018

J. Awrejcewicz, V.A. Krysko, M.V. Zhigalov, I.V. Papkova and V.A. Krysko Jr, “Mathematical models for quantifying flexible multilayer orthotropic shells under transverse shear stresses”, *Composite Structures*, Vol. 204, pp 896-911, 15 November 2018