



Professor Ali Reza Saidi

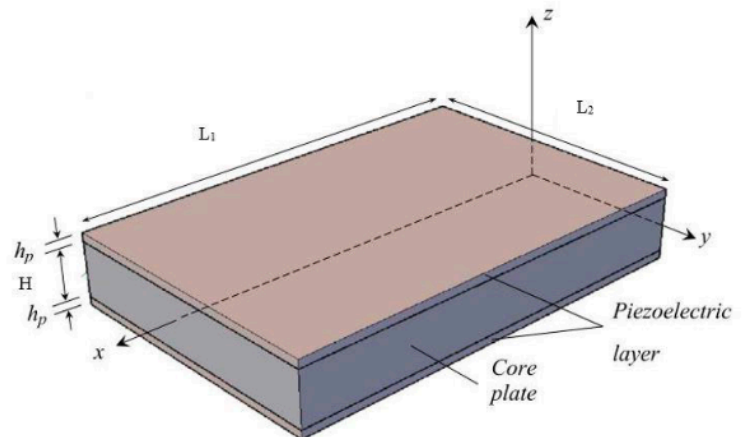


Fig. 1. Geometry of a sandwich porous FG plate surrounded by piezoelectric layers

From: Mahmoud Askari, Ali Reza Saidi, Amir Sajjad Rezaei and Mahdiah Abdollahi Badizi, "Navier-type free vibration analysis of porous smart plates according to Reddy's plate theory", First International Conference on Mechanics of Advanced Materials and Equipment, 2018

See:

https://www.researchgate.net/profile/A_Saidi

<https://scholar.google.com/citations?user=5bGzi-IAAAAJ&hl=en>

Dept. of Mechanical Engineering
Shahid Bahonar University of Kerman, Iran

Selected Publications:

- Saidi, A.R., Atashipour, S.R.: Analytical solution of free vibration of thick transversely isotropic rectangular plates, based on first order shear deformation theory. *Aerospace Mech. J.* 4(3), 59–69 (2008)
- M. Mohammadimehr, A. R. Saidi and A. Ghorbanpour Arani, Effect of small length scale on elastic buckling of DWCNT using Timoshenko beam theory, 16th Annual (International) Conference on Mechanical Engineering (ISME 2008), Shahid Bahonar University of Kerman, Kerman, Iran.
- Saidi A.R., Rasouli A., Sahraee S.: Axisymmetric bending and buckling analysis of thick functionally graded circular plates using unconstrained third-order shear deformation plate theory. *Compos. Struct.* 89, 110–119 (2009)
- Sahraee S, Saidi AR. Axisymmetric bending analysis of thick functionally graded circular plates using fourth-order shear deformation theory. *Eur J Mech – A/Solids* 2009;28(5):974–84
- Saidi A.R., Jomehzadeh E.: On analytical approach for the bending/stretching of linearly elastic functionally graded rectangular plates with two opposite edges simply supported. *Proc. I Mech. E Part C J. Mech. Eng. Sci.* 223, 2009–2016 (2009)
- Jomehzadeh E, Saidi AR, Atashipour SR. An analytical approach for stress analysis of functionally graded annular sector plates. *Mater Des* 2009;30(9):3679–85.
- Atashipour, S.R., Saidi, A.R., Jomehzadeh, E.: On the boundary layer phenomenon in bending of thick annular sector plates using third-order shear deformation theory. *Acta Mech.* 211, 89–99 (2010)
- Mohammadi M., Saidi A.R., Jomehzadeh E.: A novel analytical approach for buckling analysis of moderately thick functionally graded rectangular plates with two opposite edges simply supported. *Proc. IMechE Part C J. Mech. Eng. Sci.* 224, 1831–1841 (2010)

Bodaghi, M., Saidi, A.R.: Stability analysis of functionally graded rectangular plates under nonlinearly varying in-plane loading resting on elastic foundation. *Arch. Appl. Mech.* (2010).

M. Mohammadimehr, A. R. Saidi, A. Ghorbanpour Arani, A. Arefmanesh and Q. Han, “Torsional buckling of a DWCNT embedded on winkler and pasternak foundations using nonlocal theory”, *Journal of Mechanical Science and Technology*, Vol. 24, No. 6, 2010, pp. 1289-1299

M. Bodaghi and A. R. Saidi, “Levy-type solution for buckling analysis of thick functionally graded rectangular plates based on the higher-order shear reformation plate theory,” *Appl. Math. Model.*, 34, 3659–3673 (2010).

Mohammadi M., Saidi A.R., Jomehzadeh E.: Levy solution for buckling analysis of functionally graded rectangular plates. *Appl. Compos. Mater.* 93, 1–17 (2010)

Naderi A, Saidi AR. On pre-buckling configuration of functionally graded Mindlin rectangular plates. *Mech Res Commun* 2010;37(6):535–8.

Saidi AR, Baferani AH. Thermal buckling analysis of moderately thick functionally graded annular sector plates. *Compos Struct* 2010;92(7): 1744–52.

Saidi AR, Hejripour F, Jomehzadeh E. On the stress singularities and boundary layer in moderately thick functionally graded sectorial plates. *Appl Math Model* 2010;34(11):3478–92.

Naderi A., Saidi A.R.: An analytical solution for buckling of moderately thick functionally graded sector and annular sector plates. *Arch. Appl. Mech.* 81(6), 809–828 (2011)

Naderi A., Saidi A.R.: Buckling analysis of functionally graded annular sector plates resting on elastic foundations. *ImechE Part C* 225(2), 312–325 (2011)

Naderi A., Saidi A.R.: Exact solution for stability analysis of moderately thick functionally graded sector plates on elastic foundation. *Compos. Struct.* 93(2), 629–638 (2011)

Saidi, A., A.H. Baferani, and E. Jomehzadeh, Benchmark solution for free vibration of functionally graded moderately thick annular sector plates. *Acta mechanica*, 2011. 219(3-4): p. 309-335.

A.H. Baferani, A. Saidi, H. Ehteshami Accurate solution for free vibration analysis of functionally graded thick rectangular plates resting on elastic foundation, *Compos. Struct.*, 93 (2011), pp. 1842-1853

A. Ghorbanpour Arani, M. Mohammadimehr, A.R. Saidi, S. Shogaei and A. Arefmanesh, “Thermal buckling analysis of double-walled carbon nanotubes considering the small-scale length effect”, *Proceedings of the Institution of Mechanical Engineers, Part C: Journal of Mechanical Engineering Science*, January 2011, vol. 225, no. 1, pp. 248-256

M. Mohammadimehr, A. R. Saidi, A. Ghorbanpour Arani and Q. Han, “Postbuckling Equilibrium Path of a Long Thin-Walled Cylindrical Shell (Single-Walled Carbon Nanotube) Under Axial Compression Using Energy Method”, *Archive of SID, IJE Transactions A: Basics*, Vol. 24, No. 1, January 2011, pp. 79-86

Jomehzadeh E., Noori H.R., Saidi A.R.: The size-dependent vibration analysis of microplates based on a modified couple stress theory. *Phys. E* 43, 877–883 (2011)

Bodaghi M, Saidi AR (2011) Stability analysis of functionally graded rectangular plates under nonlinearly varying in-plane loading resting on elastic foundation. *Arch Appl Mech* 81:765–780

M. Bodaghi and A.R. Saidi, “Thermoelastic buckling behavior of thick functionally graded rectangular plates”, *Archive of Applied Mechanics*, Vol. 81, No. 11, pp 1555-1572, November 2011

Jomehzadeh, E., Saidi, A.R.: A study on large amplitude vibration of multilayered graphene sheets. *Comput. Mater. Sci.* 50, 1043–1051 (2011)

E. Jomehzadeh, and A.R. Saidi, Decoupling the Nonlocal Elasticity Equations for Three Dimensional Vibration Analysis of Nano-Plates, *Compos. Struct.* vol. 93, 1015–1020, 2011.

Jomehzadeh, E., Saidi, A.R.: A Lévy type solution for free vibration analysis of a nano-plate considering the small scale effect. *Recent Adv. Vib. Anal.* 47–58 (2011)

Jomehzadeh, E., Saidi, A.R., Pugno, N.M.: Large amplitude vibration of a bilayer graphene embedded in a nonlinear polymer matrix. *Phys. E Low Dimens. Syst. Nanostruct.* 44, 1973–1982 (2012)

Baferani, A. H., Saidi, A. R., Jomehzadeh, E. (2012). Exact analytical solution for free vibration of functionally graded thin annular sector plates resting on elastic foundation. *Journal of Vibration and Control* 18(2): 246–267

Hasani Baferani, A., Saidi, A.R.: Accurate critical buckling load/temperature of thick annular sector plates. *J. Eng. Mech.* 138, 614–630 (2012)

Saidi A.R., Bodaghi M., Atashipour S.R.: Levy-type solution for bending-stretching of thick functionally graded rectangular plates based on third-order shear deformation theory. *Mech. Adv. Mater. Struct.* 19(8), 577–589 (2012)

Sheikholeslami, S.A. and Saidi, A.R., Vibration analysis of functionally graded rectangular plates resting on elastic foundation using higher-order shear and normal deformable plate theory, *Composite Structures*, 106, 350-361, 2013.

Talabi, M. R. and Saidi, A. R., An explicit exact analytical approach for free vibration of circular/annular functionally graded plates bonded to piezoelectric actuator/sensor layers based on Reddy's plate theory, *Applied Mathematical Modelling*, 37(14-15), 7664-7684, 2013.

A. Naderi and A.R. Saidi (Department of Mechanical Engineering, Shahid Bahonar University of Kerman, Kerman, Iran), "Nonlocal postbuckling analysis of graphene sheets in a nonlinear polymer medium", *International Journal of Engineering Science*, Vol. 81, pp 49-65, August 2014

Jomehzadeh, E., Saidi, A.R., Jomehzadeh, Z., Bonaccorso, F., Palermo, V., Galiotis, C., Pugno, N.M.: Nonlinear subharmonic oscillation of orthotropic graphene-matrix composite. *Comput. Mater. Sci.* 99, 164–172 (2015)

Rezaei, A.S., Saidi, A.R.: Exact solution for free vibration of thick rectangular plates made of porous materials. *Comput. Struct.* 134, 1051–1060 (2015)

Abdollahi, M., Saidi, A.R., Mohammadi, M.: Buckling analysis of thick functionally graded piezoelectric plates based on the higher-order shear and normal deformable theory. *Acta Mech.* 226, 2479–2510 (2015)

A.S. Rezaei and A.R. Saidi, "Application of Carrera Unified Formulation to study the effect of porosity on natural frequencies of thick porous-cellular plates", *Composites Part B: Engineering*, Vol. 91, pp 361-370, April 2016

Rezaei, A.S., Saidi, A.R.: On the effect of coupled solid-fluid deformation on natural frequencies of fluid saturated porous plates. *Eur. J. Mech. A Solid* 63, 99–109 (2017)

A.S. Rezaei and A.R. Saidi, "Buckling response of moderately thick fluid-infiltrated porous annular sector plates", *Acta Mechanica*, Vol. 228, No. 11, pp 3929-3945, November 2017

Reza Bahaadini, Ali Reza Saidi and Mohammad Hosseini, "On dynamics of nanotubes conveying nanoflow", *International Journal of Engineering Science*, Vol. 123, pp 18-196, February 2018

Mahmoud Askari, Ali Reza Saidi, Amir Sajjad Rezaei and Mahdieh Abdollahi Badizi, "Navier-type free vibration analysis of porous smart plates according to Reddy's plate theory", *First International Conference on Mechanics of Advanced Materials and Equipment*, 2018