



**Professor Luis M. C. Simoes**

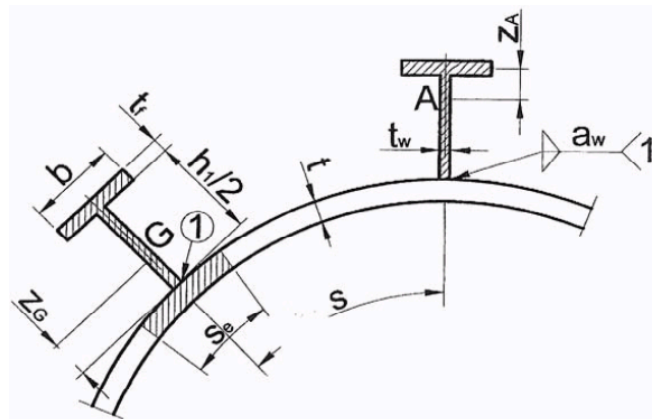
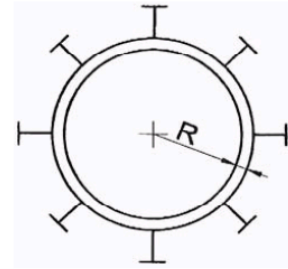
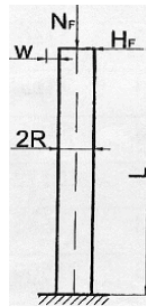
See:

[https://www.researchgate.net/profile/Luis\\_Simes2](https://www.researchgate.net/profile/Luis_Simes2)

Department of Civil Engineering,  
University of Coimbra, Portugal

**Selected Publications:**

- Farkas J., Simoes M.C. and Jármai K. (2005), "Minimum cost design of a welded stiffened square plate loaded by biaxial compression", *Struct. Multidisciplinary Optimization*, 29(4), 298-303.
- Simões, L.M.C, Farkas, J. and Jármai,K., 'Reliability-based optimum design of a welded stringer-stiffened steel cylindrical shell subject to axial compression and bending', *Structural and Multidisciplinary Optimization*, Volume 31(2), pp 147-155, 2006.
- Simões L.M.C., Farkas J, Jármai K. (2015), "Optimization of a cylindrical shell housing a belt-conveyor bridge", *Comput. Struct.*, 147(15), 159-164.



From: Simões, L.M.C, Farkas, J. and Jármai,K., 'Reliability-based optimum design of a welded stringer-stiffened steel cylindrical shell subject to axial compression and bending', *Structural and Multidisciplinary Optimization*, Volume 31(2), pp 147-155, 2006