



**Professor Shenjie Zhou**

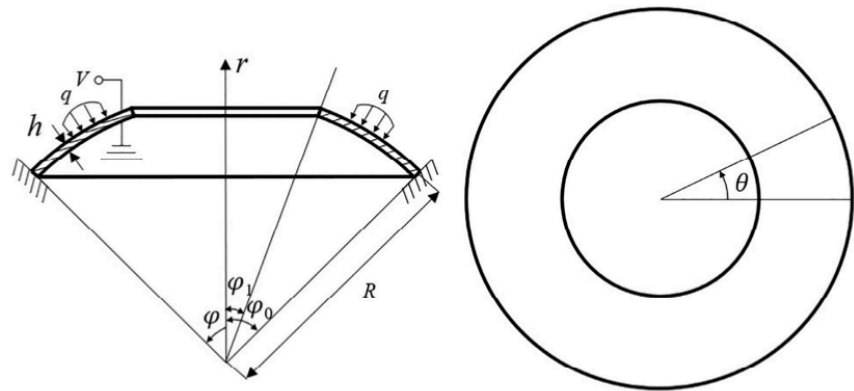


Fig. 1. Schematic diagram of an isotropic flexoelectric spherical microshell with a circular top opening.

From: Lu Qi, Guangyang Fu, Shenjie Zhou, "A flexoelectric spherical microshell model incorporating the strain gradient effect", *Applied Mathematical Modelling*, Vol. 75, pp 692-708, November 2019

See:

[https://www.researchgate.net/profile/Shenjie\\_Zhou](https://www.researchgate.net/profile/Shenjie_Zhou)

<https://scholar.google.com/citations?user=ruvpcI8AAAAJ&hl=zh-CN>

School of Mechanical and Automotive Engineering, Shandong Academy of Sciences, Jinan, China

### Selected Publications:

S.J. Zhou, and Z.Q. Li, Length Scales in the Static and Dynamic Torsion of a Circular Cylindrical Micro-Bar, *J. Shandong Univ. Technol.*, vol. 31, pp. 401–407, 2001.

S. Kong, S. Zhou, Z. Nie, K. Wang, The size-dependent natural frequency of Bernoulli-Euler micro-beams, *Int. J. Eng. Sci.* 2008, 46, 427, <http://doi.org/10.1016/j.ijengsci.2007.10.002>.

Kong, S. L., Zhou, S. J., Nie, Z. F., et al.: Static and dynamic analysis of micro beams based on strain gradient elasticity theory. *Int. J. Eng. Sci.* 47, 487–498 (2009)

Wang, B., Zhao, J., Zhou, S.: A micro scale Timoshenko beam model based on strain gradient elasticity theory. *Eur. J. Mech. A. Solids* 29, 591–599 (2010)

Wang, B. L., Zhou, S. J., Zhao, J. F., et al.: Size-dependent pull-in instability of electrostatically actuated microbeam-based MEMS. *J. Micromech. Microeng.* 21, 072001, (2011)

Wang, B. L., Zhou, S. J., Zhao, J. F., et al.: Pull-in instability analysis of electrostatically actuated microplate with rectangular shape. *Int. J. Precis. Eng. Manuf.* 12, 1–10 (2011)

Wang, B., Zhao, J., Zhou, S., et al.: A size-dependent Kirchhoff micro-plate model based on strain gradient elasticity theory. *Eur. J. Mech. A. Solids* 30, 517–524 (2011)

Bing-Lei Wang, Jun-Feng Zhao, Shen-Jie Zhou and Xi Chen, "Analysis of wave propagation in micro/nanobeam-like structures: A size-dependent model", *Acta Mechanica Sinica*, Vol. 28, No. 6, pp 1659-1667, 2012

Zhao, J., Zhou, S., Wang, B., et al.: Nonlinear microbeam model based on strain gradient theory. *Appl. Math. Modell.* 36, 2674–2686 (2012)

Liu Jian, Zhou Shenjie, Dong Meiling and Yan Yuqin, "Three-node Euler-Bernoulli beam element based on positional FEM", *Procedia Engineering*, Vol. 29, pp 3703-3707, 2012

Binglei Wang, Mingchao Liu, Junfeng Zhao and Shenjie Zhou, "A size-dependent Reddy-Levinson beam model based on a strain gradient elasticity theory", *Meccanica*, 2014

Huayong Wu and Shenjie Zhou, "Free vibrations of sensor diaphragm with residual stress coupled with liquids", *Journal of Applied Physics*, Vol. 115, Article 084303, 2014

Li, A., Zhou, S., Zhou, S., Wang, B.: Size-dependent analysis of a three-layer microbeam including electromechanical coupling. *Compos. Struct.* 116(1), 120–127 (2014)

A. Li, S. Zhou, B. Wang, A size-dependent bilayered micro beam model based on strain gradient elasticity

theory, *Compos. Struct.* 2014, 108, 259, <http://doi.org/10.1016/j.compstruct.2013.09.020>.

A. Li, S. Zhou, S. Zhou, B. Wang, A size-dependent model for bi-layered Kirchhoff micro-plate based on strain gradient elasticity theory, *Compos. Struct.* 2014, 113, 272, <http://doi.org/10.1016/j.compstruct.2014.03.028>.

Li, A., Zhou, S., Qi, L., Chen, X.: A reformulated flexoelectric theory for isotropic dielectrics. *J. Phys. D Appl. Phys.* 48(46), 465502 (2015)

Qi, L., Zhou, S., Li, A.: Size-dependent bending of an electro-elastic bilayer nanobeam due to flexoelectricity and strain gradient elastic effect. *Compos. Struct.* 135, 167–175 (2016)

S. Zhou, A. Li, B. Wang, A reformulation of constitutive relations in the strain gradient elasticity theory for isotropic materials, *Int. J. Solids Struct.* 2016, 80, 28, <http://doi.org/10.1016/j.ijsolstr.2015.10.018>.

A. Li, S. Zhou, and L. Qi, “Size-dependent electromechanical coupling behaviors of circular micro-plate due to flexoelectricity,” *Appl. Phys. A*, vol. 122, no. 10, pp. 918, 2016. doi:10.1007/s00339-016-0455-3

X. Ji, A. Li, S. Zhou, A comparison of strain gradient theories with applications to the functionally graded circular micro-plate, *Appl. Math. Model.* 2017, 49, 124143, <http://doi.org/10.1016/j.apm.2017.04.021>.

Qi, L., Huang, S., Fu, G., Zhou, S., Jiang, X.: On the mechanics of curved flexoelectric microbeams. *Int. J. Eng. Sci.* 124, 1–15 (2018)

Shasha Zhou, Rongmin Zhang, Shenjie Zhou and Anqing Li, “Free vibration analysis of bilayered circular micro-plate including surface effects”, *Applied Mathematical Modelling*, Vol. 70, pp 54-66, June 2019

Lu Qi, Guangyang Fu, Shenjie Zhou, “A flexoelectric spherical microshell model incorporating the strain gradient effect”, *Applied Mathematical Modelling*, Vol. 75, pp 692-708, November 2019

Lu Qi, Shujin Huang, Guangyang Fu, Anqing Li, Shenjie Zhou and Xiaoning Jiang, “Modeling of the flexoelectric annular microplate based on strain gradient elasticity theory”, *Mechanics of Advanced Materials and Structures*, Vol. 26, No. 23, pp 1958-1968, 2019

Guangyang Fu, Shenjie Zhou and Lu Qi, A size-dependent Bernoulli-Euler beam model based on strain gradient elasticity theory incorporating surface effects. *Z Angew Math Mech.* 2019;99:e201800048.

Yu Liu, Shenjie Zhou, Kanghui Wu and Lu Qi, “Size-dependent electromechanical responses of a bilayer piezoelectric microbeam”, *International Journal of Mechanics and Materials in Design*, Vol. 16, No. 3, pp 443-460, September 2020

Lu Qi and Shenjie Zhou, “A size-dependent spherical microshell model based on strain gradient elasticity theory”, *European Journal of Mechanics - A/Solids*, Vol. 84, Article 104087, November-December 2020