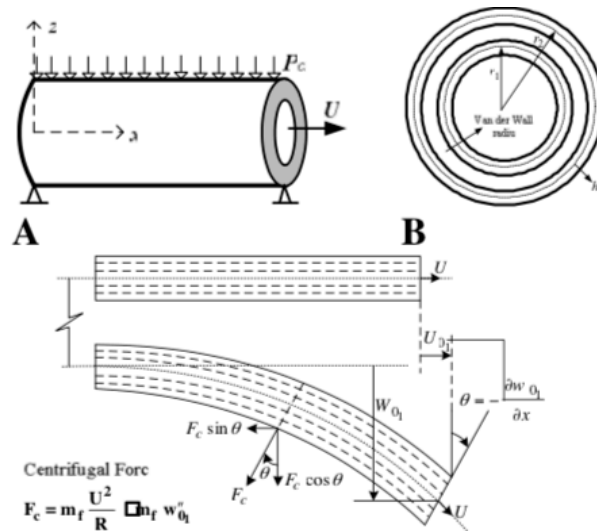




Professor Morteza Dardel



C
Figure 1 **A.** The fluid-conveying DWCNT; **B.** the cross section of DWCNT; **C.** free body diagram of DWCNT.

From: Arman Ghasemi, Morteza Dardel and M.H. Ghasemi, “The control of nonlinear static deflection of double-walled carbon nanotube by using an external distributed load”, Proceedings of the Institution of Mechanical Engineers, Part N, Journal of Nanoengineering and Nanosystems, Vol. 226, No. 4, pp 181-190, December 2012

See:

https://www.researchgate.net/profile/Morteza_Dardel

<https://ir.linkedin.com/in/morteza-dardel-b9b85990>

Department of Mechanical Engineering
Babol Noshirvani University of Technology, Babol, Mazandaran, Iran

Selected Publications:

Arman Ghasemi, Morteza Dardel, M.H. Ghasemi and M. Ghadimi, “Postbuckled deflection control of double-walled carbon nano tube based on nonlocal Timoshenko beam model”, 20th Annual International Conference on Mechanical Engineering (ISME2012), 16-18 May, 2012, Haraz University, Shiraz, Iran, Paper No. ISME2012-1786, 2012

M.M. Barzegari, M. Dardel, A.R. Fathi and A. Ghasemi, “Flutter and limit cycle oscillation control of a nonlinear wing with piezoelectric actuators using SDRE method”, 20th Annual International Conference on Mechanical Engineering (ISME2012), 16-18 May, 2012, Haraz University, Shiraz, Iran, Paper No. ISME2012-1253, 2012

Hassan Asadi Gorgi, Morteza Dardel, Mohammad Hadi Pashaei and Mohammad Hassan Ghasemi, “Natural vibration analysis of rectangular plates with multiple all-over part through cracks”, International Conference on Mechanical Engineering and Advanced Technology (ICMEAT 2012), Islamic Azad University, 10-12 October 2012, Isfahan, Iran

Kelvan Eskandary, Morteza Dardel, Mohammad Hadi Pashaei and Abdol Majid Kani, “Effects of aeroelastic nonlinearity on flutter and limit cycle oscillations of high-aspect-ratio wings”, Applied Mechanics and Materials, Vols. 110-116, pp 4297-4306, 2012

Barzegari MM, Dardel M, Fathi A, Ghadimi M (2012) Aeroelastic characteristics of cantilever wing with embedded shape memory alloys. Acta Astronaut 79:189–202

M. Ghadimi, Morteza Dardel, M.H. Pashaei and M.M. Barzegari, "Effects of geometric imperfections on the aeroelastic behavior of functionally graded wings in supersonic flow", *Aerospace Science and Technology*, Vol. 23, No. 1, pp 492-504, December 2012

Arman Ghasemi, Morteza Dardel and M.H. Ghasemi, "The control of nonlinear static deflection of double-walled carbon nanotube by using an external distributed load", *Proceedings of the Institution of Mechanical Engineers, Part N, Journal of Nanoengineering and Nanosystems*, Vol. 226, No. 4, pp 181-190, December 2012

Ghasemi, A., Dardel, M., Ghasemi, M.H., et al.: Analytical analysis of buckling and post-buckling of fluid conveying multi-walled carbon nanotubes. *Appl. Math. Model.* 37, 4972–4992 (2013)

Shahab Jamshidi, Morteza Dardel, Mohammad Hadi Pashaei and Reza Akbari Alashti, "Energy harvesting from limit cycle oscillation of a cantilever plate in low subsonic flow by ionic polymer metal composite", *Proceedings of the Institution of Mechanical Engineers, Part G: Journal of Aerospace Engineering*, 24 June 2014

Nima Ebrahimzade, Morteza Dardel and Rouzbeh Shafaghat, "Performance comparison of linear vibration absorbers and nonlinear energy sink on aeroelastic flutter instabilities", *Fifth International Conference on Acoustics and Vibration (ISAV2015)*, 25-26 November 2015, Tehran, Iran, 2015

M. Esmaeildokht, R. Akbari, M. H. Ghasemi, M. Dardel, Effect of axial force to lateral force on the buckling of orthotropic thin cylindrical shell, *Journal of Solid Mechanics in Engineering*, Vol. 7, No. 3, pp. 35-43, 2015. (in Persian)

Arman Ghasemi, Morteza Dardel and Mohammad Nassan Ghasemi, "Collective effect of fluid's coriolis force and nanoscale's parameter on instability pattern and vibration characteristic of fluid-conveying carbon nanotubes", *ASME Journal of Pressure Vessel Technology*, Vol. 137, No. 3, June 2015

Kani, M., Khadem, S. E., Pashaei, M. H. and Dardel, M. [2016] "Vibration control of a nonlinear beam with a nonlinear energy sink," *Nonlinear Dynamics* 83(1–2), 1–22.

Parseh, M., Dardel, M., Ghasemi, M. H. and Pashaei, M. H. [2016] "Steady state dynamics of a non-linear beam coupled to a non-linear energy sink," *International Journal of Non-Linear Mechanics* 79, 48–65.

Kani, M., Khadem, S. E., Pashaei, M. H. and Dardel, M. [2016] "Design and performance analysis of a nonlinear energy sink attached to a beam with different support conditions," *Proceedings of the Institution of Mechanical Engineers, Part C: Journal of Mechanical Engineering Science* 230(4), 527–542.

Hossein Asghari and Morteza Dardel, "Parameter converting method for bifurcation analysis of nonlinear dynamical systems", *Scientia Iranica, International Journal of Science and Technology*, Vol. 27, No. 1, pp 310-329, October 2018

Sayyid H. Hashemi Kachapi, Morteza Dardel, Hamidreza Mohamadi Daniali, Alireza Fathi, "Nonlinear dynamics and stability analysis of piezo-visco medium nanoshell resonator with electrostatic and harmonic actuation", *Applied Mathematical Modelling*, Vol. 75, pp 279-309, November 2019

Seyed Ghasem Enayati and Morteza Dardel, "The effect of bi-axial in-plane loads on nonlinear dynamics of micro-plates under harmonic excitation", *European Journal of Mechanics - A/Solids*, Vol. 78, Article 103836, November-December 2019