



**Dr. Charles P. Ellinas**

Senior Engineer (1983)  
J.P. Kenny & Partners Ltd, London, England

**Biography:**

Charles Ellinas, born 1949, received his B.Sc. and Ph.D. degrees at University College London, where, for eight years, he was involved in research on the buckling behavior of structures. He is now [1983] responsible for the preparation of guidance notes on the buckling design of offshore structures, for the UK Department of Energy

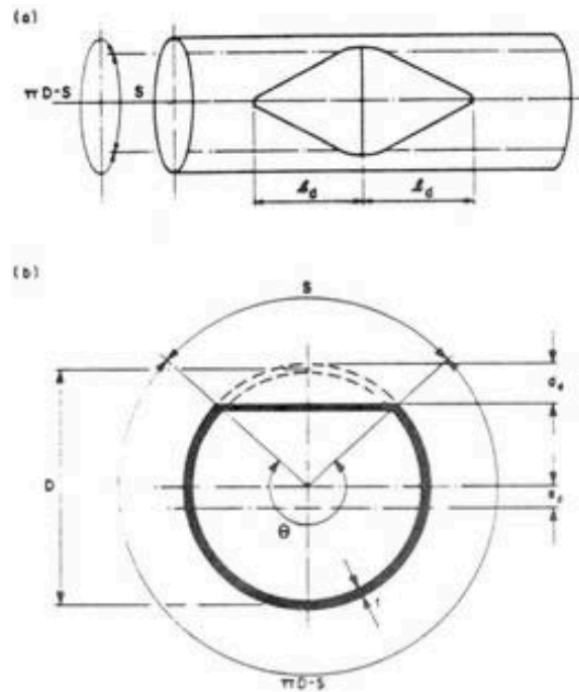
**Selected Publications:**

Ellinas, C. P., and Croll, J. G. A., 'Overall buckling of ring stiffened cylinders', Proc. Instn civ. Engrs, Part 2, 1981, 71, 637-661.

Ellinas, C. P., Batista, R. C., and Croll, J. G. A., 'Overall buckling of stringer stiffened cylinders', Proc. Instn civ. Engrs, Part 2, 1981, 71, 479-512

C. P. Ellinas and J. G. A. Croll, "Post-critical analysis of torsionally buckled stiffener plates," Int. J. Solids Struct., 17, 11-27 (1981).

C. P. Ellinas and J. G. A. Croll, "Elastic-plastic general buckling of ring stiffened cylinders," in: Proc. IUTAM Symp. on the Buckling of Structures in Theory and Practice (University College, London, September 1982), University Press, Cambridge, UK (1982)



From: C.P. Ellinas and A.C. Walker, "Damage on offshore tubular bracing members", IABSE reports = Rapports AIPC = IVBH Berichte, Band (Jahr) 42 (1983), <http://dx.doi.org/10.5169/seals-32425>

C.P. Ellinas and A.C. Walker, "Damage on offshore tubular bracing members", IABSE reports = Rapports AIPC = IVBH Berichte, Band (Jahr) 42 (1983)

J.G.A. Croll and C.P. Ellinas, "Reduced stiffness axial load buckling of cylinders", International Journal of Solids and Structures, Vol. 19, No.5, 1983, pp. 461-477

C P Ellinas, J G A Croll, "Experimental and theoretical correlations for elastic buckling of axially compressed ring stiffened cylinders", The Journal of Strain Analysis for Engineering Design, Vol. 18, No. 2, 1983, pp. 81-93

Ellinas, C. P. and Croll, J. G. A., "Experimental and theoretical correlations for elastic buckling of axially compressed stringer stiffened cylinders", J Strain Analysis, Vol. 18, pp 41-67, 1983

----BOOK---- Ellinas, C.P. Supple, W.J. and Walker, A.C., Buckling of Offshore Structures, Granada, London, 1984

Ellinas, C. P. and Supple, J.: Buckling Design of Ring-Stiffened Cylinders, Jour. Of Waterway, Port, Coastal and Ocean Engineering, Vol.110, Issue 4, pp. 413-431, 1984.

Croll, J. G. A. and Ellinas, C. P. (1984): "Design formulation for Axisymmetric Collapse of Stiffened and Unstiffened Cylinders", Proceeding of the 3rd International Offshore Mechanics and Arctic Engineering Conference, vol. I, pp. 612-617

Ellinas, C.P., Supple, W.J., Walker, A.C., "Buckling Design of Stringer and Orthogonally Stiffened Cylinders", Journal of Petroleum Technology, Vol. 37, No. r4, April 1985, pp. 671-679

C.P. Ellinas and J.G.A. Croll, "Elastic-plastic buckling design of cylindrical shells subject to combined axial compression and pressure loading", International Journal of Solids and Structures, Vol. 22, No. 9, 1986, pp. 1007-1017

J. G. A. Croll, N. F. Kaimakamis, and C. P. Ellinas, "Design of efficient orthogonally stiffened cylinders," in: Proc. 5th OMAE Symp. (April, 1986), Tokyo (1986).

----BOOK---- C.P. Ellinas (Editor), Advances in Subsea Pipeline Engineering and Technology, Springer, 2012, 392 pages