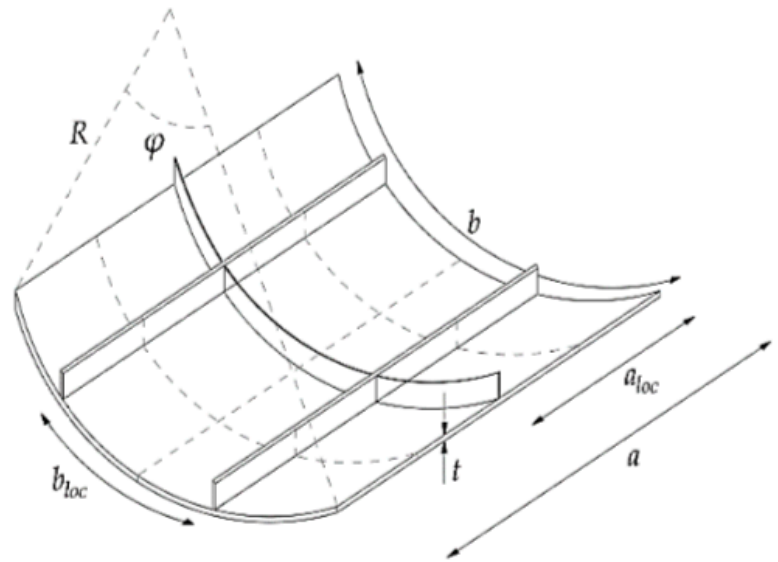




**Professor João Pedro Martins**



**Figure 2.** The geometry of a cylindrically curved panel.

From: Filip Ljubinković, João Pedro S.C. Martins, Helena M.S. Gervásio and Luis A.P. Simões da Silva, “Experimental investigation on the bridge segments with transversally curved bottom flange”, 9th International Symposium on Steel Bridges, IOP Conf. Series: Materials Science and Engineering, Vol. 419, Article ID 012042, 2018

See:

[https://www.researchgate.net/profile/JP\\_Martins](https://www.researchgate.net/profile/JP_Martins)

<https://scholar.google.com/citations?user=qahlpBYAAAJ&hl=en>

Institute for Sustainability and Innovation in Structural Engineering (ISISE), Dept. of Civil Engineering, University of Coimbra, Portugal

### **Selected Publications:**

J.P. Martins, L. Simoes da Silva and A. Reis, “Eigenvalue analysis of cylindrically curved panels under compressive stresses – Extension of rules from EN 1993-1-5”, *Thin-Walled Structures*, Vol. 68, pp 183-194, July 2013

J.P. Martins, L. Simoes da Silva and A. Reis, “Ultimate load of cylindrically curved panels under in-plane compression and bending – Extension of rules from EN 1993-1-5”, *Thin-Walled Structures*, Vol. 77, pp 36-47, April 2014

J.P. Martins, Darko Beg, Franc Sinur, L. Simoes da Silva and A. Reis, “Imperfection sensitivity of cylindrically curved steel panels”, *Thin-Walled Structures*, Vol. 89, pp 101-115, April 2015

T. Manco, C. Rigueiro, J.P. Martins, L. Simões da Silva, “Comparative assessment of the design of tubular elements according to offshore design standards and Eurocode 3”, *Steel Constr. Des. Res.*, 9 (4) (2016) (266-278)

J.P. Martins, L. Simoes da Silva and N. Silvestre, “Energy-based analytical model to predict the elastic critical behaviour of curved panels”, *Journal of Constructional Steel Research*, Vol. 127, pp 165-175, December 2016

A. Reis, J.O. Pedro, A.B. Graça, C. Hendy, P. Romoli, L. Simões da Silva, J.P. Martins, “Report on the characterization of relevant parameters of curved plated bridge structures and identification of bridge cases where they can be found”, RFCS Research Project OUBURST (RFCS-2015-709782): Deliverable 2.1 (2017)

A. Biscaya da Graça, J. Oliveira Pedro, J.P. Martins, A. Reis, Estado da arte em pontes incluindo painéis metálicos cilíndricos na secção transversal, XI Congr. Construção Metálica e Mista, Coimbra, Portugal (2017)

Filip Ljubinkovic, Joao Pedro Martins and Luis Simoes da Silva, “Cylindrically curved steel panels in bridge design – Buckling and post-buckling behaviour under shear stresses”, EUROSTEEL 2017, Copenhagen, Denmark, September 13-15, 2017

J.P. Martins, F. Ljubinkovic, L. Simoes da Silva and H. Gervasio, “Behaviour of thin-walled curved steel plates under generalized in-plane stresses: A review”, Journal of Constructional Steel Research, Vol. 140, pp 191-207, January 2018

Tiago Manco, Joao Pedro Martins, Constanca Rigueiro and Luis Simoes da Silva, “Semi-analytical model for the prediction of the post-buckling behaviour of unstiffened cylindrically curved steel panels under uniaxial compression”, Marine Structures, Vol. 59, pp 387-400, May 2018

Trayana Tankova, João Pedro Martins, Luís Simões da Silva, Rui Simões and Helder D. Craveiro, “Experimental buckling behaviour of web tapered I-section steel columns”, Journal of Constructional Steel Research, Vol. 147, pp 293-312, August 2018

Trayana Tankova, Joao Pedro Martins, Luis Simoes da Silva, Liliana Marques, Helder D. Craveiro and Aldina Santiago, “Experimental lateral-torsional buckling behaviour of web tapered I-section steel beams”, Engineering Structures, Vol. 168, pp 355-370, 1 August 2018

Joao Pedro Martins, L. Simoes da Silva, Liliana Marques and Martin Pircher, “Eigenvalue analysis of curved sandwich panels loaded in uniaxial compression” (date and publisher not given)

Tiago Manco, Joao Pedro Martins, Constanca Rigueiro and Luis Simoes da Silva, “Semi-analytical orthotropic model for the prediction of the post-buckling behavior of stiffened cylindrically curved steel panels under uniaxial compression”, Computers & Structures, Vol. 211, pp 27-42, January 2019

Tiago Manco, João Pedro Martins, Constança Rigueiro, Luís Simões da Silva, “Ultimate resistance of isotropic cylindrically curved steel panels under uniaxial compression”, Journal of Constructional Steel Research, Vol. 159, pp 95-108, August 2019

Filip Ljubinković, João Pedro S.C. Martins, Helena M.S. Gervásio and Luis A.P. Simões da Silva, “Experimental investigation on the bridge segments with transversally curved bottom flange”, 9th International Symposium on Steel Bridges, IOP Conf. Series: Materials Science and Engineering, Vol. 419, Article ID 012042, 2018

F. Ljubinković, J.P. Martins, H. Gervásio, L.S. da Silva, J.O. Pedro, Experimental behavior of curved bottom flanges in steel box-girder bridge decks, J. Constr. Steel Res., 160 (2019), pp. 169-188

Filip Ljubinković, João Pedro Martins, Helena Gervásio, Luís Simões da Silva, “Eigenvalue analysis of cylindrically curved steel panels under pure shear”, Thin-Walled Structures, Vol. 141, pp 447-459, August 2019

Filip Ljubinković, João Pedro Martins, Helena Gervásio, Luís Simões da Silva, “Ultimate load of cylindrically curved steel panels under pure shear”, Thin-Walled Structures, Vol. 142, pp 171-188, September 2019

J.P. Martins, L. Simões da Silva, T. Tankova, H.D. Craveiro, “Reliability assessment of EC3-1-5 methodology of welded slender cross-sections under direct stresses”, Journal of Constructional Steel Research, Vol. 160, pp 301-319, September 2019

Hermano de Sousa Cardoso, Joao Pedro Martins, Luis Simoes da Silva and Carlos Alberto Cimini Jr., “Numerical study of strengthened slender I-girders with fiber reinforced polymers”, XII Congresso of Metal Construction, 21-22 November 2019

Filip Ljubinković, João Pedro Martins, Helena Gervásio, Luís Simões da Silva and Carlos Leitão, “Experimental and numerical investigation on cylindrically curved steel panels under uniform compression”, Article 106527, Thin-Walled Structures, Vol. 149, April 2020